

Flow Meter SM - 6 / SM - 6 - V



These highly corrosion resistant flow meters are suitable for both liquid and gaseous applications.

The SM-6-V combines a flow meter with a precision needle valve to regulate and adjust the flow.

In applications where flow monitoring is critical, the flow meter can be equipped with a bi-stable flow sensor. Any deviation from the set point results in an alarm signal.

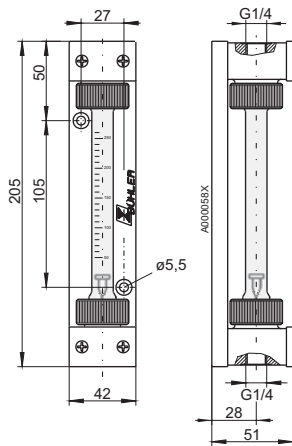
The flow sensor can be connected to a range of controllers (see data sheet DA40 0003)

- **Highly corrosion resistant**
- **Reliable construction**
- **Easy maintenance metering tube**
- **Optional flow sensor available**

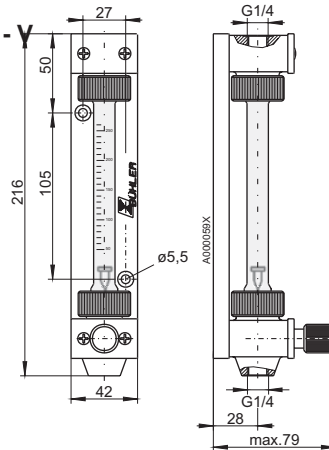
Dimensions

SM - 6

SM - 6



SM - 6 - Y



Application in explosive atmosphere:

There is no Ex-designation on the type plate of the equipment, because they are not within the scope of European Directive 94/9/EC. However the equipment corresponds to the essential requirements of the Directive 94/9/EC. Therefore they can be used in explosive atmosphere (**Zone 1 , Group IIC**).

Observe all cautions in the Installation and Operation Manual.

Technical Data: Flow Meter

Ambient temperature	80 °C
Media temperature max.	150°C
(with part no. 405610 max. 80°C)	
Operating pressure max.	4 bar

Material

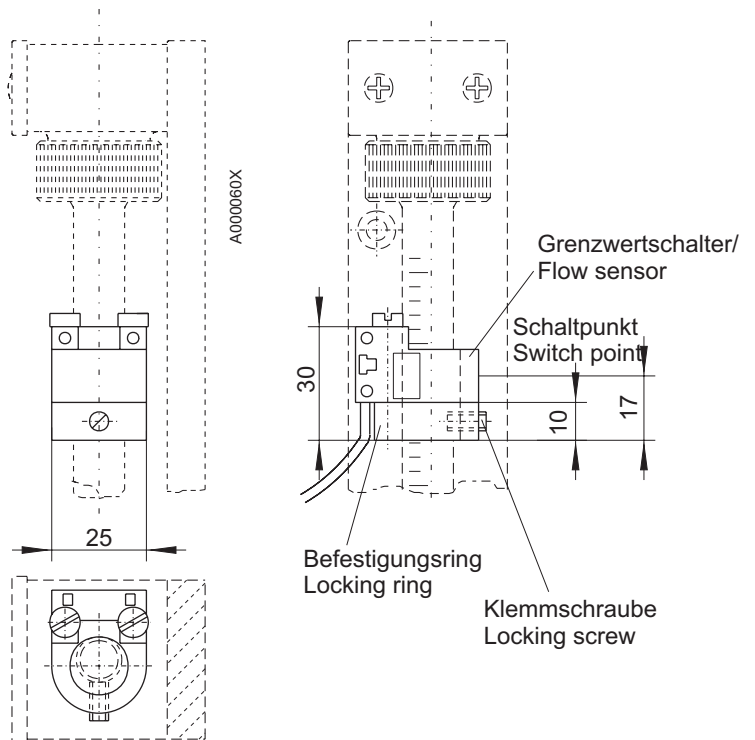
Head	PTFE
Seal	PTFE
Adjusting screw	PVDF / Viton or PCTFE / Perfluorelastomer
Metering tube	Borosilicate glass
Float	Hastelloy C 4 or optional PEEK with iron core
Union nut	PPS fiberglass reinforced
Base plate	PA

Please indicate with order:

Part no.	Range*
40 56	99
0 0	air 6 - 60 NL/h
0 1	air 10 - 100 NL/h
0 2	air 25 - 250 NL/h
0 3	air 50 - 500 NL/h
0 4	air 80 - 800 NL/h
0 5	water 0,5 - 5 L/h
0 6	water 1,2 - 12 L/h
0 7	water 2,5 - 25 L/h
0 8	water 4 - 40 L/h
0 9	water 6 - 60 L/h
1 0	special range
0	without needle valve
1	valve PVDF / Viton
2	valve PCTFE / perfluorelastomer

Technical Data: Flow Sensor

Protection class	IP 67 DIN 40050
Ambient temperature	- 20 °C bis + 70 °C
Housing material	PBT



Please indicate with order:

Part no.	Description
49 49 019	Flow sensor for metering tube with ends \varnothing 15mm
49 49 021	Flow sensor for metering tube with ends \varnothing 10mm

* standard measuring tube; air 20 °C 1,2 bar abs; water 20 °C